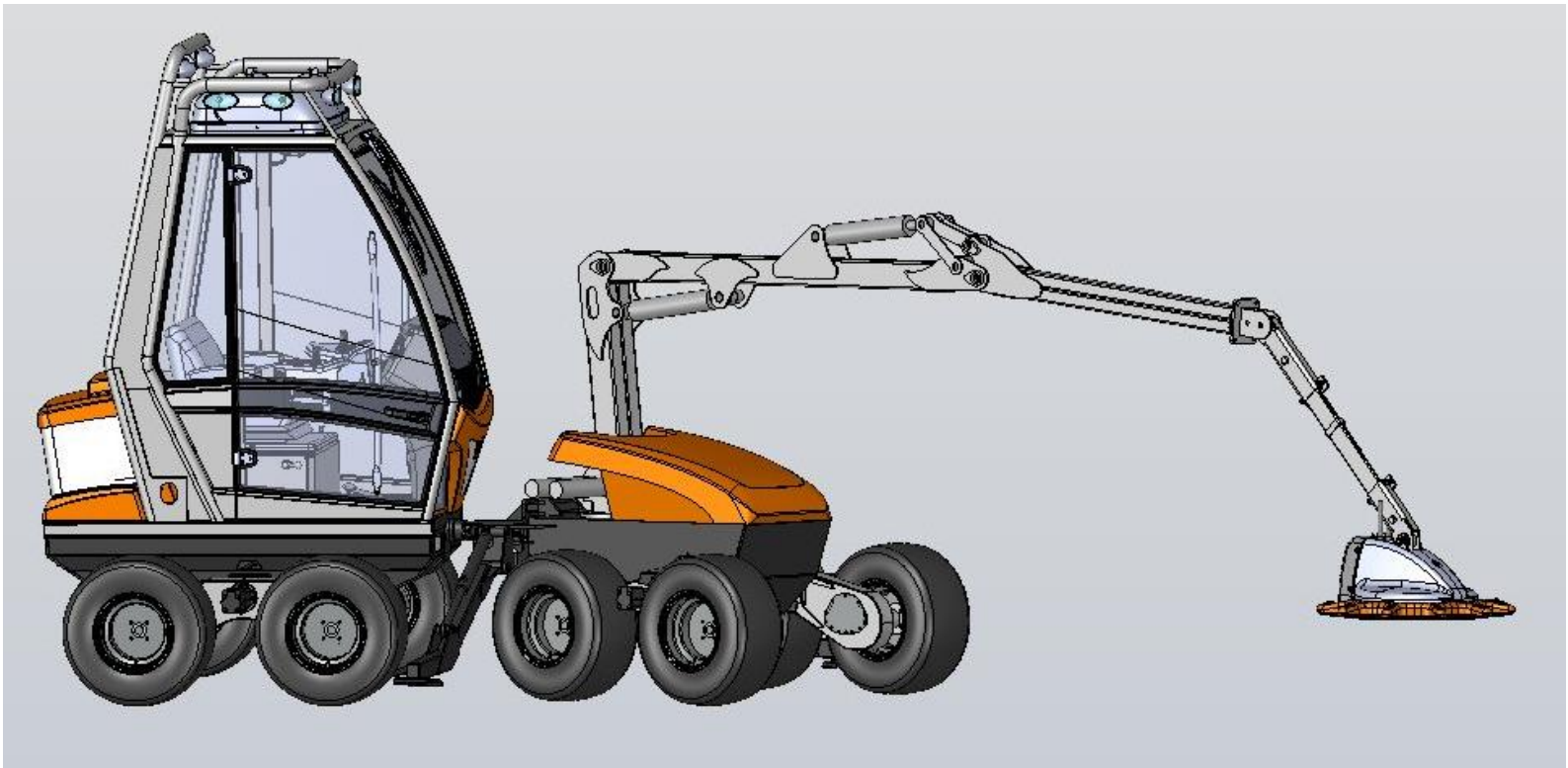




Usewood

Usewood Forest Master

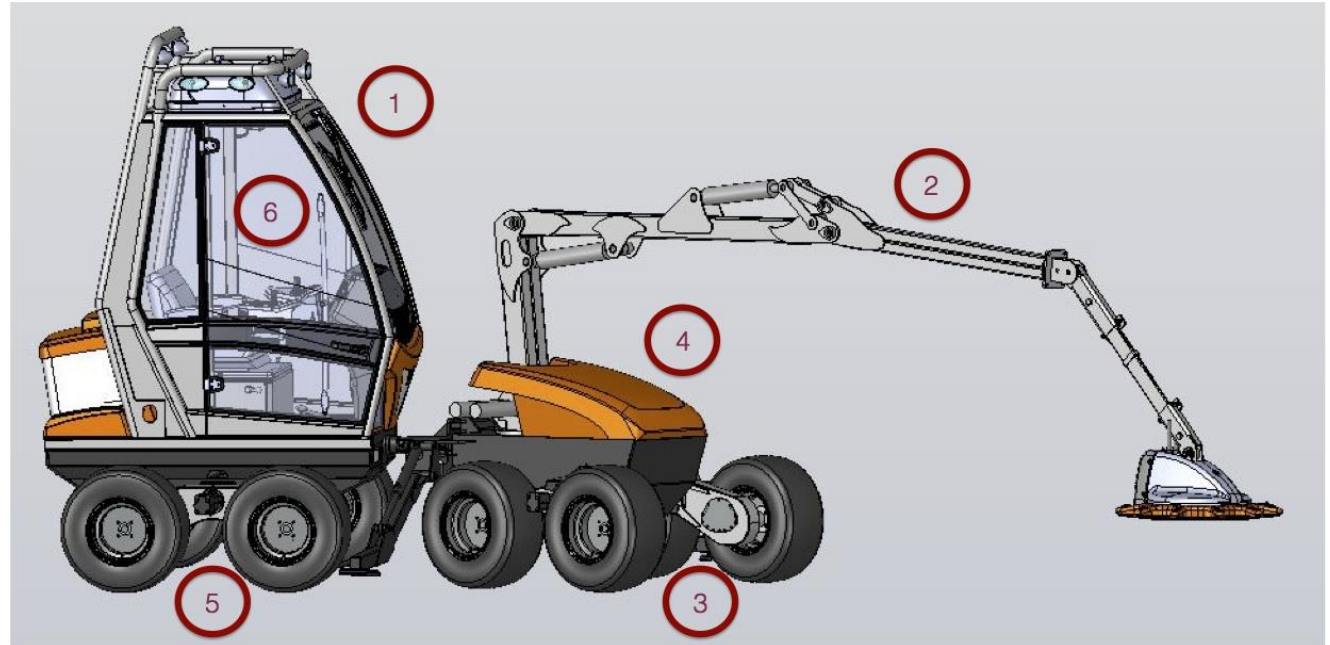




Usewood

New technology

1. Cabin
2. Crane
3. Frame
4. Covers
5. Hydraulics
6. Electronics

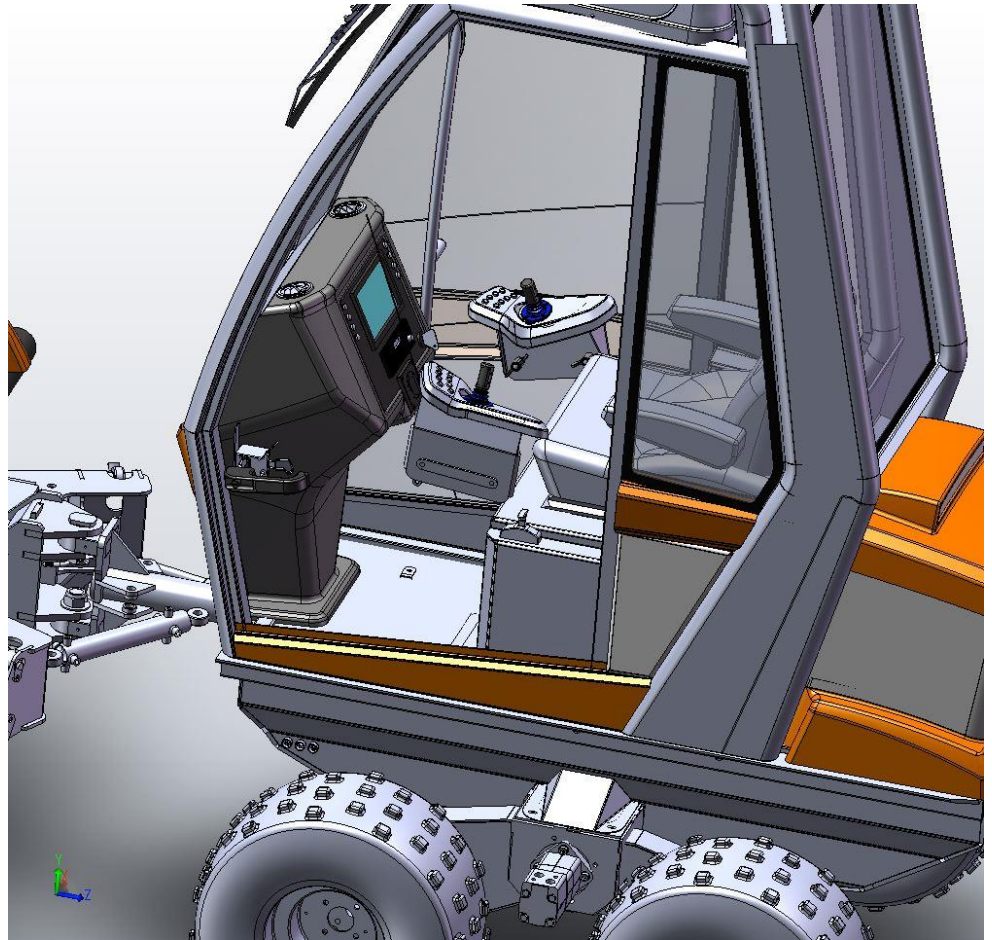




Usewood

1. Cabin

- Operation screen
- Polycarbonate doors
- Safety windows
- Ergonomic joysticks
- Electric pedal
- Radio
- Warming
- Aircooling

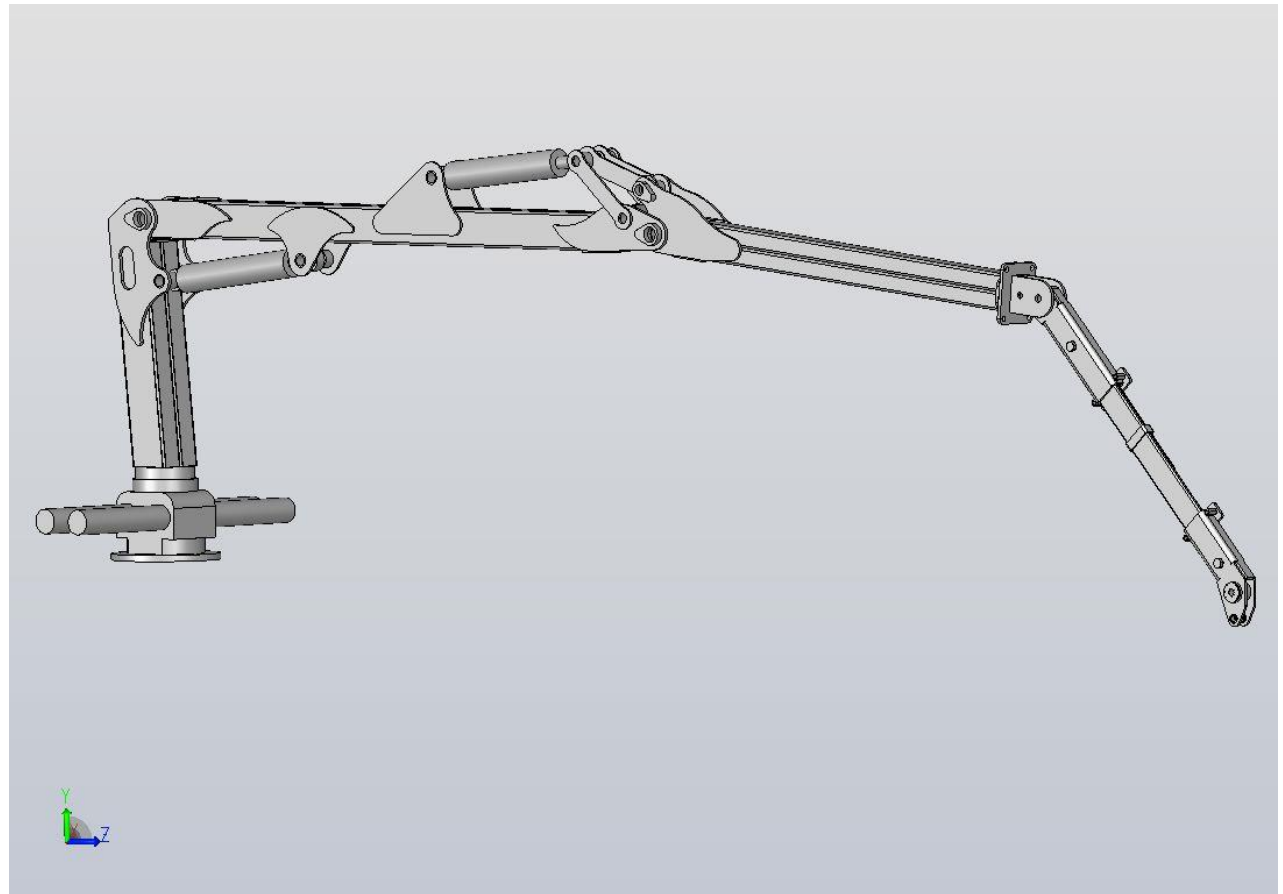




Usewood

2. Crane

- Strong
- Exact
- Tight coupling
- Extensible





Usewood

3. Frame

- Strong bogies
- Straight legs
- Powerful steering
- Modular structure

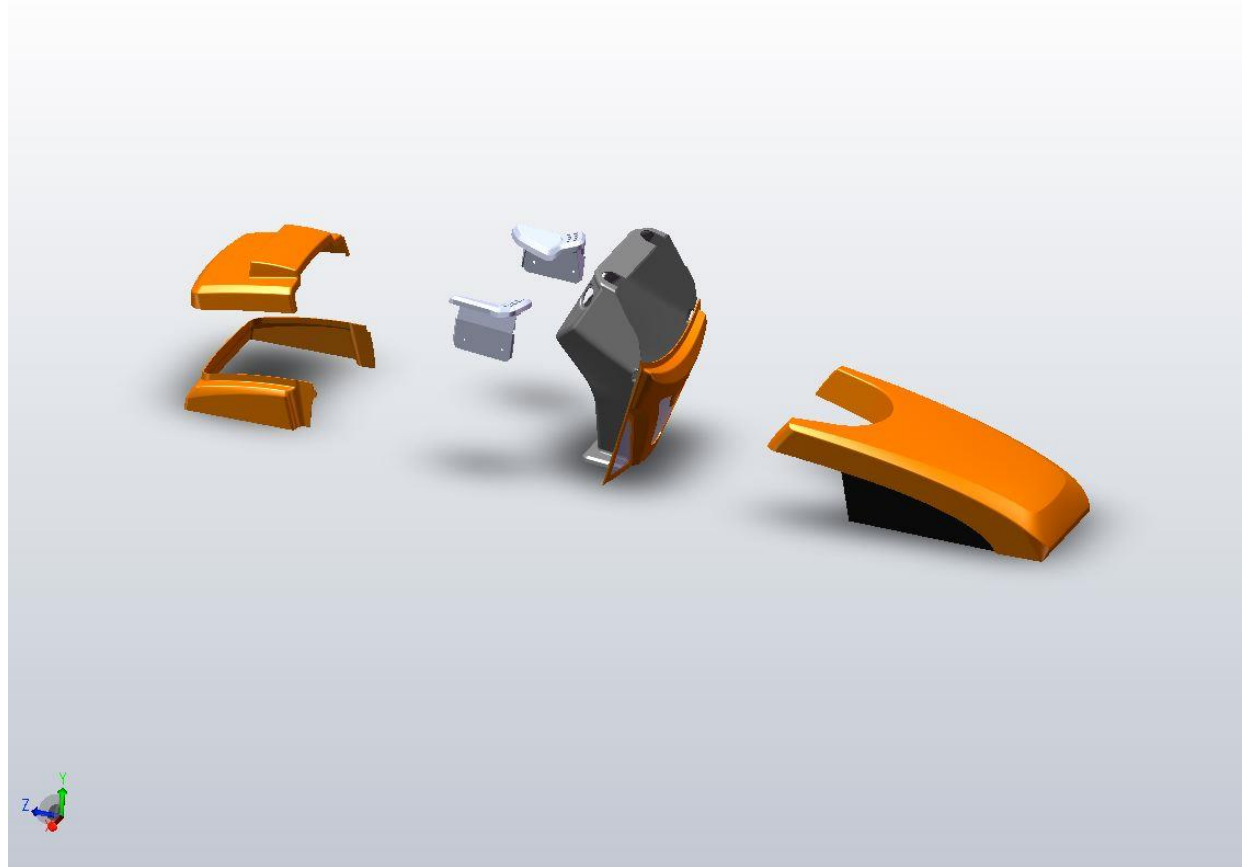




Usewood

4. Covers

- New outlook
- Easy to clean
- Replaceable



6. Electronics

- Bosch-Rexroth 24 V
- ECU + CAN
- Movement control
- Troubleshooting
- Inform
- Individual settings
- RECS automation (in progress)
 - Distance detection
 - Plant detection
 - Parallel movement





Usewood

Advances

- Delivery
- Service
- Parts

- Effective
- Reliable
- Flexible

